



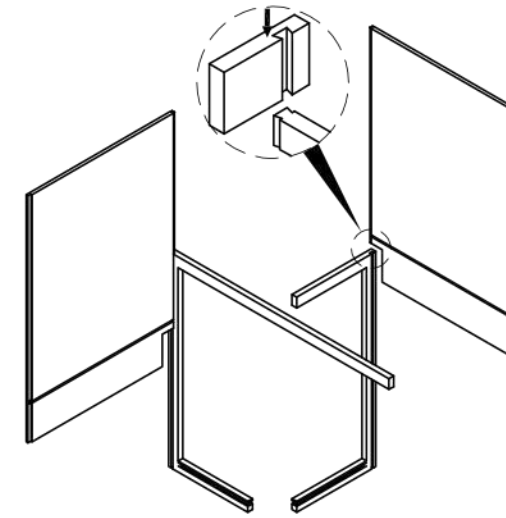


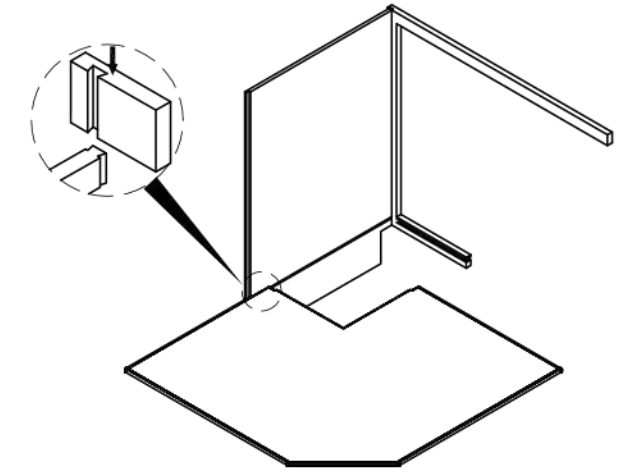
LS33  
LS36

# Assembly instructions

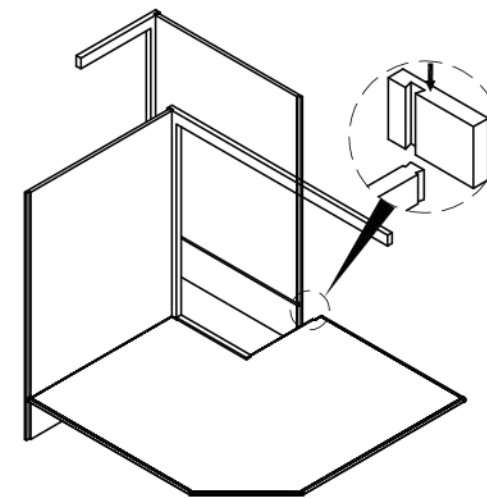
| NO. | Picture   | Specification | Qty |   |   |                |    |
|-----|---|---------------|-----|---|---|----------------|----|
| A   |  | $\phi 4*1''$  | 33  | C |  |                | 5  |
| B   |  |               | 2   | D |  | $\phi 3*1/2''$ | 20 |



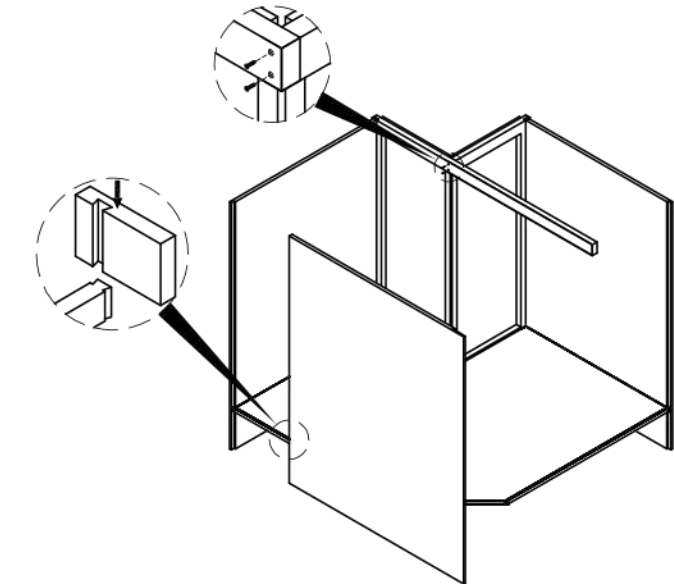
step 1



step 2



step 3



step 4

LS33  
LS36

